

Coconino County Math Contest
Relay Race
26 April, 2007
Problem #1

Evaluate: $1^2 + 2^2 + 3^2 + 4^2 + 5^2 = ?$

Coconino County Math Contest
Relay Race
26 April, 2007
Problem #3

Find the sum of all of the whole numbers from -10 to 12 (inclusive).

Coconino County Math Contest
Relay Race
26 April, 2007
Problem #2

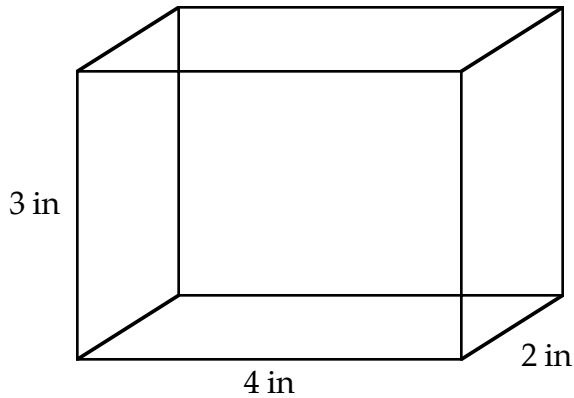
If $a = 2$, $b = -3$ and $c = 4$, evaluate:
 $|a-b| + |b-c| + |c-a|$

Coconino County Math Contest
Relay Race
26 April, 2007
Problem #4

Evaluate: $\sqrt{13 + \sqrt{13 - \sqrt{16}}}$

Coconino County Math Contest
 Relay Race
 26 April. 2007
 Problem #5

A model of the solid shown below is built using stiff wire. How much wire is required?



Coconino County Math Contest
 Relay Race
 26 April. 2007
 Problem #7

2	3	5
4	5	7
10	11	??

Coconino County Math Contest
 Relay Race
 26 April. 2007
 Problem #6

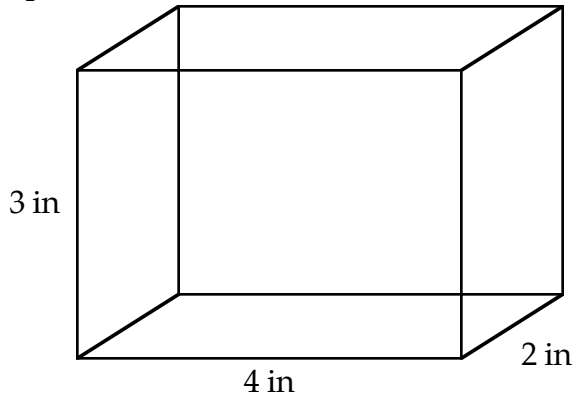
Solve: $2(3x-1) - 3(4x-1) = 1$

Coconino County Math Contest
 Relay Race
 26 April. 2007
 Problem #8

Simplify: $\frac{\frac{5}{3} - \frac{3}{5}}{\frac{1}{3} - \frac{1}{5}}$

Coconino County Math Contest
Relay Race
26 April. 2007
Problem #9

A model of the solid shown below is built using stiff paper. How much paper is required?



Coconino County Math Contest
Relay Race
26 April. 2007
Problem #10

If $A = B+4$, $B = 7-C$, $C = D+1$ and $D = 10-E$, what is $A - E$?

Coconino County Math Contest
Relay Race
26 April. 2007
Problem #11

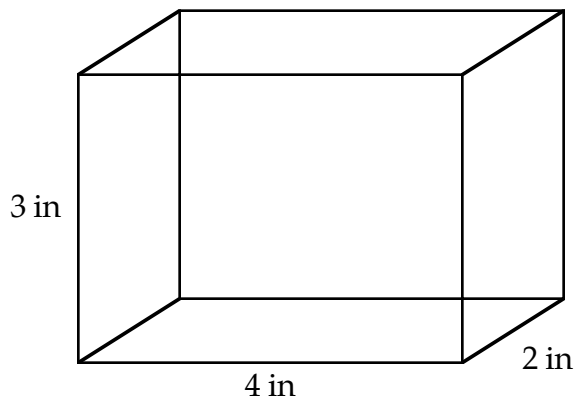
Solve: $\sqrt{1+x} = 3$

Coconino County Math Contest
Relay Race
26 April. 2007
Problem #12

What is the next number in this sequence:
3, 2, 5, 7, 12, 19, 31, ?

Coconino County Math Contest
Relay Race
26 April. 2007
Problem #13

A model of the solid shown below is built using clay. How much clay is required?



Coconino County Math Contest
Relay Race
26 April. 2007
Problem #14

What is the next letter in this sequence:

W, I, T, N, L, I, . . . ?

Coconino County Math Contest
Relay Race Trialz
26 April. 2007
Problem #15

If $x \& y$ means $\frac{x+y}{x-y}$, evaluate:

$$4 \& (3 \& 1) =$$

Coconino County Math Contest
Relay Race
26 April. 2007
Problem #16

1	5	9
7	6	5
6	8	??

Coconino County Math Contest
Relay Race
26 April, 2007
Problem #17

Evaluate: $43(48) - 46(43) =$

Coconino County Math Contest
Relay Race
26 April, 2007
Problem #19

What is the smallest prime number whose reversal is not a prime number?

Coconino County Math Contest
Relay Race
26 April, 2007
Problem #18

The average of ten numbers is 129.
What is their sum?

Coconino County Math Contest
Relay Race
26 April, 2007
Problem #20

What number is five more than six less
than seven more than eight less than nine?